

ASO: 供应高风量的“巨人”

50 Hz 的鼓风机出风量为 13,500 l / min, 60 Hz 的鼓风机出风量为 15,900 l / min, 配合适当的附件, ASO 可以同时为若干莱丹加热器提供风源.

中压鼓风机

ASO



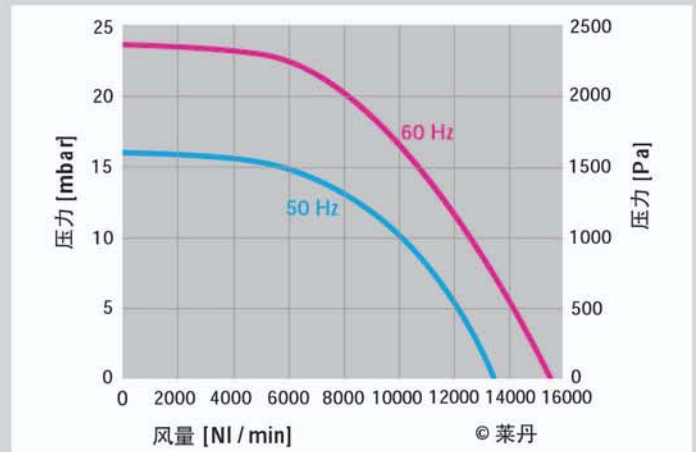
技术参数

径流式鼓风机

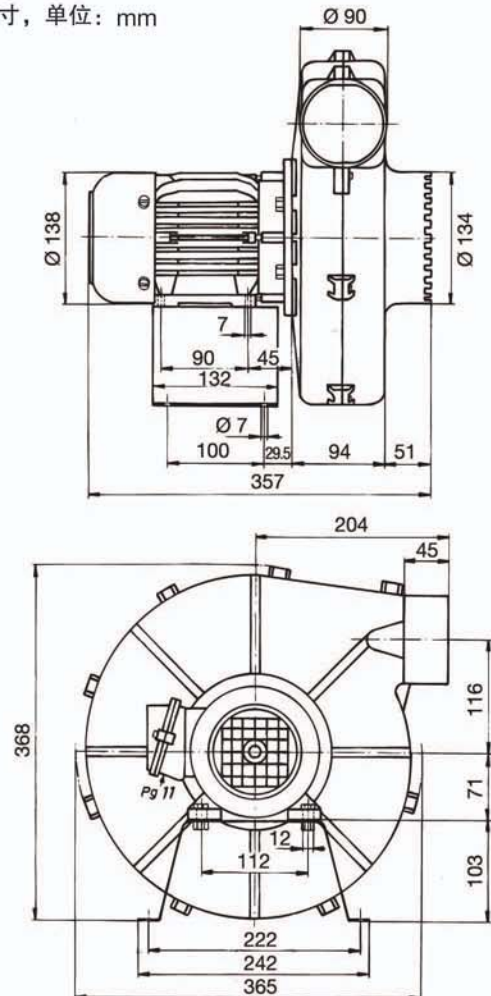
频率	Hz	50	60
空气流量 (20 °C)	l/min	13500	15900
静态压力	Pa	1600	2400
最高环境温度	°C	60	60
噪音值	LpA (dB)	70	70
环境保护执行标准	(IEC 60529)	IP 54	IP 54
进风口外径	mm	∅ 134	∅ 134
出风口外径	mm	∅ 90	∅ 90
重量	kg	15.0	15.0
认证标识		CE	CE
保护等级 I		⊕	⊕

电压	V~ 50Hz 60Hz	1 × 230	3 × 230 / 400 3 × 440 - 480	3 × 500
功率	W	550	550	550
无电源线	订货号		103.527	103.532
3 米电源线 / 欧标插头	订货号	103.530		

根据客户要求可提供特殊规格的产品



安装尺寸, 单位: mm



中压鼓风机 ASO 适用附件 ($\Phi 90\text{mm}$)

107.237		PVC 风管, $\Phi 90\text{mm}$
107.236		$\Phi 90\text{mm}$ 风管卡箍
107.239		不锈钢过滤网, 直插式 安装在鼓风机进风口处
111.771		风机马达电容器 230V
107.238		风分配管, 和鼓风机出风口为 直插式连接

根据客户要求可提供特殊风嘴

如果使用非莱丹公司鼓风机, 压缩机或附件,
则莱丹公司不予提供保修。

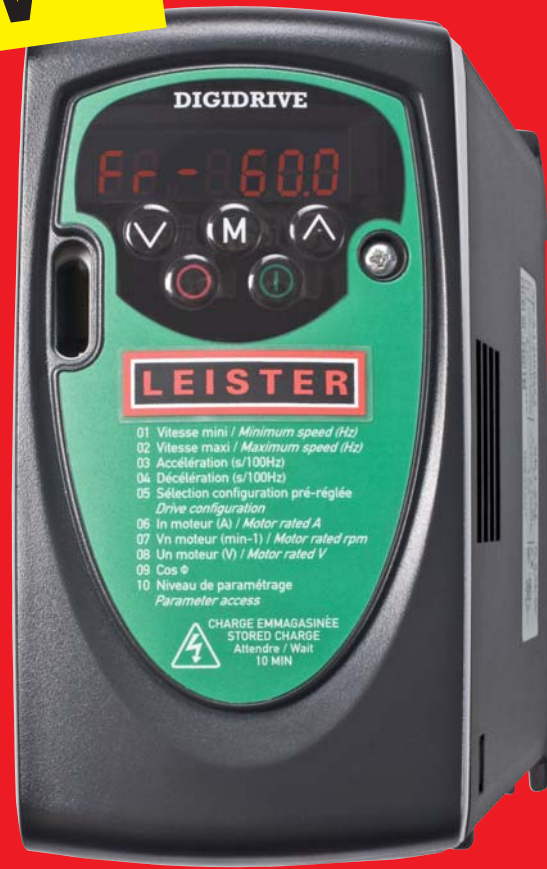
LEISTER

PROCESS HEAT

NEW

Frequency converter
for Leister blowers.

More power,
variable air volume,
controllable via
remote control.



SILENCE

ROBUST

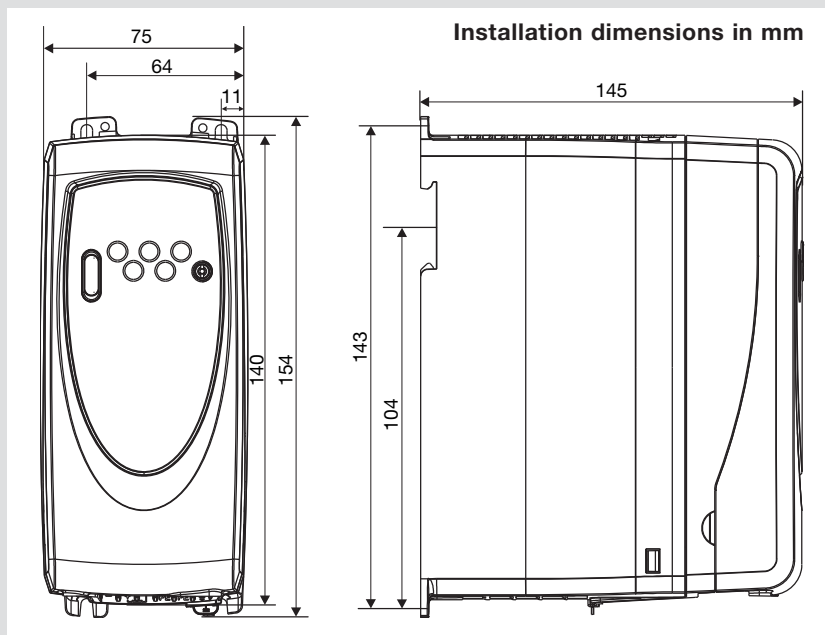
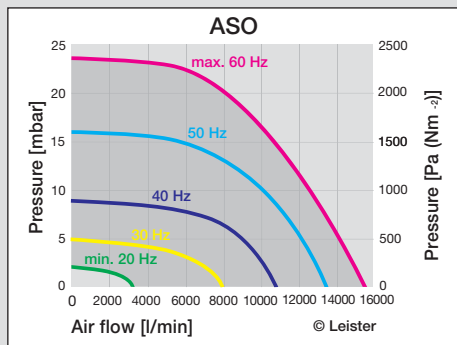
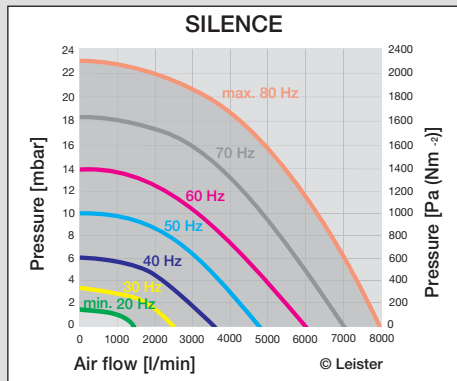
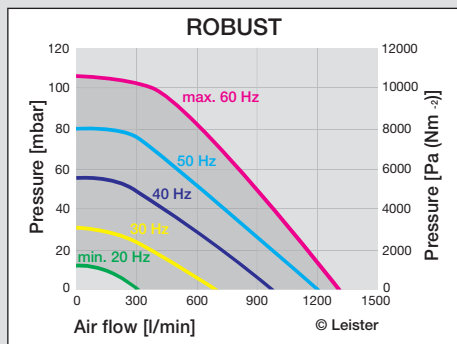


ASO



Benefit of frequency converter with Leister blowers

- Better hot air processes** Because air volume and heating performance can be set independently, precisely and reproducibly from each other.
- Up to 60% higher blower performance** Because the frequency converter lets the blower turn faster than the mains frequency (see diagram below).
- Lower system costs** Smaller and cheaper blowers can be used or fewer blowers will be necessary, because multiple air heaters can be connected to a blower.
- Easy to integrate in the controller** By the remote control interface 4-20mA/0-10V or by fixed set values (up to 4) via clamp contacts.
- Air supply controller** Active braking function enables quick air volume changes, i.e. for timed systems.
- Save energy – heat only when necessary** There are timed processes, where hot air is necessary within a clearly defined time window. For the rest of the time, the air volume can be minimised and the heating performance switched off.
- Simple plug & play installation** The frequency converter is already configured for operation with Leister blowers.
- Secure** Integrated current monitoring and a built-in motor protection switch protect the blower.
- Elimination of the motor condensator** This function is already integrated in the frequency converter.



Technical Data

Input voltage	V~	1 x 200 – 240 VAC
Max. blower rated power	W	550
Frequency	Hz	50 / 60
Typical input current at full load	A	8.1
Output rated power (100%)	A	3.0
Weight	kg	1.0
Mark of conformity		CE UL
Protection classe I		⊕

Article No. 117.359 frequency converter FC 550

Flyer FC 550 / ENG / 02.2008

© Copyright by Leister



Headquarters:
 Leister Process Technologies
 Galileostrasse 10
 6056 Kaegiswil / Switzerland

phone: +41 41 662 74 74
 fax: +41 41 662 74 16
 leister@leister.com

www.leister.com