

MONO: Compact with high performance.

In spite of its small size, this blower delivers an impressive air volume of 900 l/min and a static pressure of 5.0 kPa. With its maintenance-free, brushless motor, it is suitable for continuous operation. The compact MONO blower can easily be mounted in confined spaces.

High pressure blower

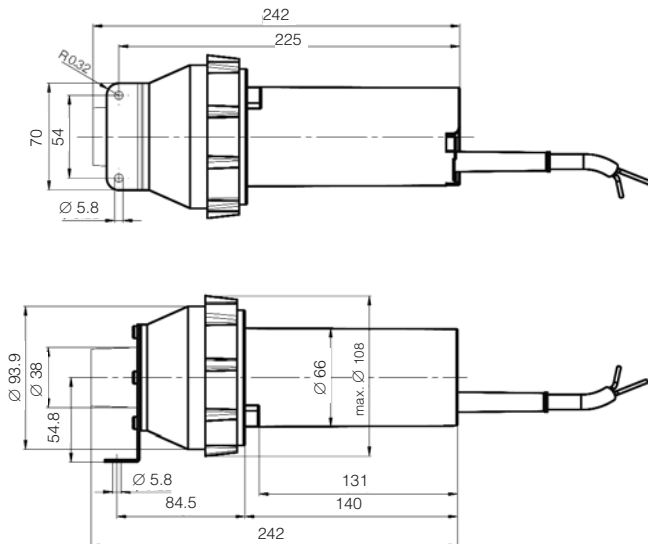
MONO



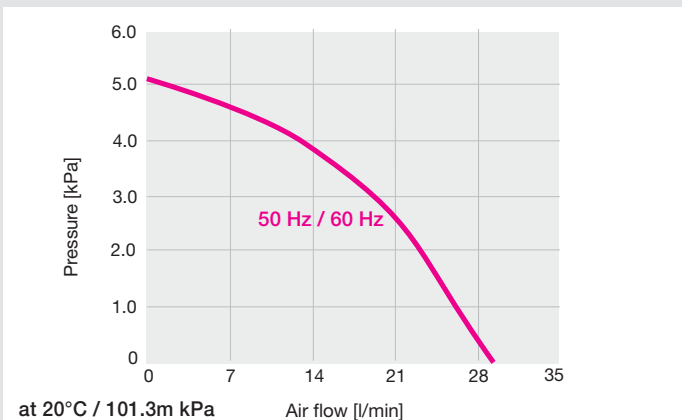
Technical data

Frequency	Hz	50 / 60
Air flow (20°C)	l/min	900
Static pressure	kPa	5.0
Mains switch		•
Device protection		•
Max. ambient temperature	°C	60
Outside diameter air outlet	mm	∅ 38
Weight with 3 m cable	kg	1.2
Mark of conformity		CE
Protection class II		□

Installation dimensions in mm

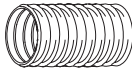




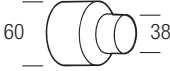
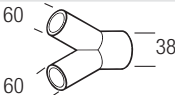
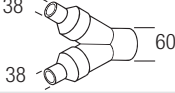
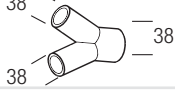
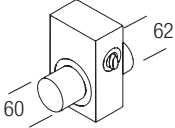
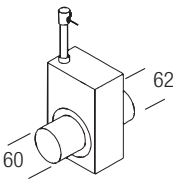


Voltage	V~	230	120
Power consumption	W	230	230
Plug		Euro	US-plug (pol.)
Order no.		132.869	141.041

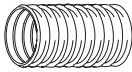



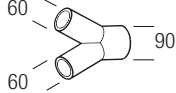


➔ Accessories page 60



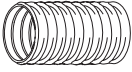
Accessories SILENCE (Ø 60 mm)

107.288		PVC air hose Ø 60 mm
107.287		Hose clip for Ø 60 mm air hose
107.240		Closing cap Ø 60 mm in attachable to hose connection adaptor 107.238 and 107.278
107.294		Stainless steel filter, push-fit on air intake
110.887		Motor capacitor 230 V
107.291		Hose connection adaptor with 1 air outlet for Ø 38 mm hose. Push-fit on air outlet
107.278		Hose connection adaptor, Push-fit on air outlet
107.292		Hose connection adaptor with 2 air outlets for Ø 38 mm hose. Push-fit on air outlet
107.293		Hose connection adaptor, Push-fit on adaptor 107.292
107.295		Hand operated air flow adjuster and on/off switch. Size 214 x 88 x 133 mm
107.296		Air flow off/on switch The air flow is interrupted on command (pneumatic 500 kPa) to the heaters. Size 214 x 88 x 133 mm

Accessories ASO (Ø 90 mm)

107.237		PVC air hose Ø 90 mm
107.236		Hose clip for Ø 90 mm air hose
107.239		Stainless steel filter, push-fit on air intake
111.771		Motor capacitor 230 V
107.238		Hose connection adaptor, Push-fit

Accessories MONO (Ø 38 mm)

133.067		Holder
124.503		External air hose connection adaptor a = 64 mm, b = 38 mm
107.288		PVC air hose, Ø 60 mm

Special nozzles on request

If using non-Leister blowers or accessories, Leister does not provide any warranty for its products.