
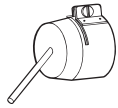
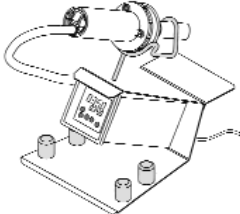
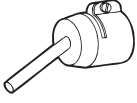
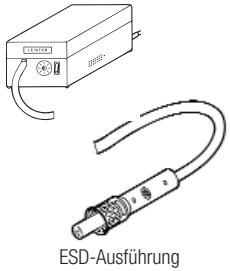
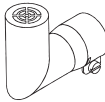
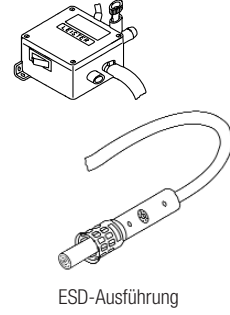
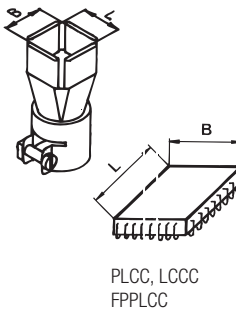
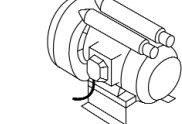
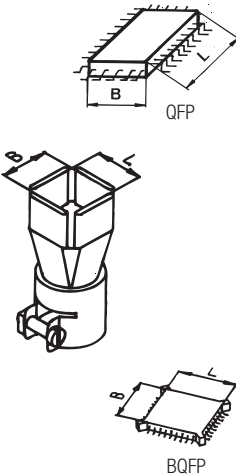
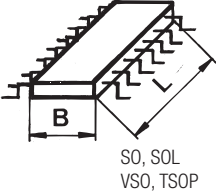
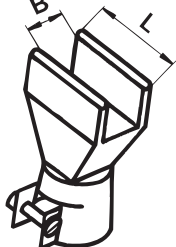
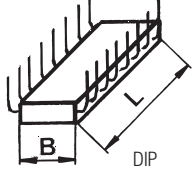
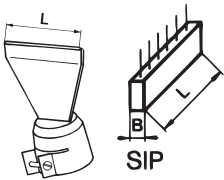
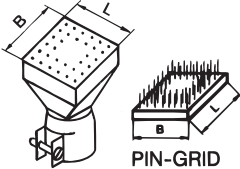
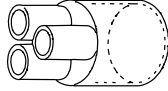


## Zubehör Kontaktloses Löten

|  |  |   |  |                |         |             |                |              |             |                |         |             |                |                   |             |                |            |             |                |                 |             |                |         |             |                |          |             |                |          |             |                |          |             |                |          |             |                |         |         |                |         |             |                |  |            |                |  |         |                |  |            |                |  |         |                |  |             |                |  |             |                |  |         |                |  |             |                |  |             |                |  |             |
|--|--|---|--|----------------|---------|-------------|----------------|--------------|-------------|----------------|---------|-------------|----------------|-------------------|-------------|----------------|------------|-------------|----------------|-----------------|-------------|----------------|---------|-------------|----------------|----------|-------------|----------------|----------|-------------|----------------|----------|-------------|----------------|----------|-------------|----------------|---------|---------|----------------|---------|-------------|----------------|--|------------|----------------|--|---------|----------------|--|------------|----------------|--|---------|----------------|--|-------------|----------------|--|-------------|----------------|--|---------|----------------|--|-------------|----------------|--|-------------|----------------|--|-------------|
|                          | <p><b>HOT-JET S Heissluft-Lötgerät</b><br/>           230V~, 50/60 Hz, 460 W<br/>           100V , 120V~, 50/60 Hz, 460W<br/>           Temperatur elektronisch stufenlos regelbar<br/>           Luftmenge elektronisch stufenlos einstellbar</p>   |    | <p><b>107.148</b><br/>           Lötöse 3 × 1,5 mm oval zum kontaktlosen Entlöten und Löten mit dem feinen Heissluftstrahl, aufschiebbar<br/> <b>&gt; LABOR S &gt; HOT JET S</b><br/> <b>&gt; HOT JET S DIGITAL</b></p>  |                |         |             |                |              |             |                |         |             |                |                   |             |                |            |             |                |                 |             |                |         |             |                |          |             |                |          |             |                |          |             |                |          |             |                |         |         |                |         |             |                |  |            |                |  |         |                |  |            |                |  |         |                |  |             |                |  |             |                |  |         |                |  |             |                |  |             |                |  |             |
|                          | <p><b>HOT-JET S DIGITAL Heissluft-Lötstation mit PID-Regelung</b><br/>           230V~, 50/60 Hz, 460 W<br/>           100V , 120V~, 50/60 Hz, 460W<br/>           Temperatur elektronisch stufenlos regelbar<br/>           Luftmenge elektronisch stufenlos einstellbar</p>  |    | <p><b>107.151</b><br/>           Lötöse Ø 4 mm zum kontaktlosen Entlöten und Löten, aufschiebbar<br/> <b>&gt; LABOR S &gt; HOT JET S</b><br/> <b>&gt; HOT JET S DIGITAL</b></p>  |                |         |             |                |              |             |                |         |             |                |                   |             |                |            |             |                |                 |             |                |         |             |                |          |             |                |          |             |                |          |             |                |          |             |                |         |         |                |         |             |                |  |            |                |  |         |                |  |            |                |  |         |                |  |             |                |  |             |                |  |         |                |  |             |                |  |             |                |  |             |
|  <p>ESD-Ausführung</p>  | <p><b>LABOR S Heissluft-Lötgerät</b><br/>           inkl. Gebläse<br/>           230V~, 50/60Hz, 800W<br/>           120V~, 50/60Hz, 700W<br/>           100V~, 50/60Hz, 500W<br/>           Gewicht: 2.5kg<br/>           Temperatur elektronisch stufenlos regelbar<br/>           Luftmenge elektronisch stufenlos einstellbar</p>  |    | <p><b>105.641</b><br/>           Winkeldüse 21,3 × 33/45 mm, aufschiebbar<br/> <b>&gt; LABOR S &gt; HOT JET S</b><br/> <b>&gt; HOT JET S DIGITAL</b></p>   |                |         |             |                |              |             |                |         |             |                |                   |             |                |            |             |                |                 |             |                |         |             |                |          |             |                |          |             |                |          |             |                |          |             |                |         |         |                |         |             |                |  |            |                |  |         |                |  |            |                |  |         |                |  |             |                |  |             |                |  |         |                |  |             |                |  |             |                |  |             |
|  <p>ESD-Ausführung</p> | <p><b>LABOR S Heissluft-Lötgerät</b><br/>           ohne Gebläse, mit Anschlusskästchen inkl.3 m Schlauch zum Anschluss an das Gebläse ROBUST oder an vorhandene Luftleitung.<br/>           230V~, 50/60Hz, 700W<br/>           120V~, 50/60Hz, 600W<br/>           100V~, 50/60Hz, 400W<br/>           Temperatur elektronisch stufenlos regelbar<br/>           Luftmenge stufenlos einstellbar</p> | <p><b>31D5A</b></p>  <p>PLCC, LCCC<br/>           FPPLCC</p> | <p>Entlötdüse 4-fach für PLCC, LCCC, FPPLCC angeschrägt</p> <table border="1"> <tbody> <tr><td><b>104.567</b></td><td>PLCC 18</td><td>11.7 × 6</td></tr> <tr><td><b>104.584</b></td><td>PLCC 20</td><td>10.1 × 10.1</td></tr> <tr><td><b>104.554</b></td><td>PLCC 28</td><td>12.6 × 12.6</td></tr> <tr><td><b>104.530</b></td><td>PLCC 32</td><td>14.7 × 12.2</td></tr> <tr><td><b>104.507</b></td><td>PLCC 44+48</td><td>17.7 × 17.7</td></tr> <tr><td><b>104.473</b></td><td>PLCC 52</td><td>20.4 × 20.4</td></tr> <tr><td><b>104.438</b></td><td>PLCC 68</td><td>25.3 × 25.3</td></tr> <tr><td><b>104.403</b></td><td>PLCC 84</td><td>30.7 × 30.7</td></tr> <tr><td><b>104.382</b></td><td>PLCC 100</td><td>34.5 × 34.5</td></tr> <tr><td><b>104.584</b></td><td>LCCC 20</td><td>10.1 × 10.1</td></tr> <tr><td><b>104.544</b></td><td>LCCC 22</td><td>14 × 9</td></tr> <tr><td><b>104.576</b></td><td>LCCC 24</td><td>11 × 11</td></tr> <tr><td><b>104.438</b></td><td>LCCC 68</td><td>25.3 × 25.3</td></tr> </tbody> </table>  | <b>104.567</b> | PLCC 18 | 11.7 × 6    | <b>104.584</b> | PLCC 20      | 10.1 × 10.1 | <b>104.554</b> | PLCC 28 | 12.6 × 12.6 | <b>104.530</b> | PLCC 32           | 14.7 × 12.2 | <b>104.507</b> | PLCC 44+48 | 17.7 × 17.7 | <b>104.473</b> | PLCC 52         | 20.4 × 20.4 | <b>104.438</b> | PLCC 68 | 25.3 × 25.3 | <b>104.403</b> | PLCC 84  | 30.7 × 30.7 | <b>104.382</b> | PLCC 100 | 34.5 × 34.5 | <b>104.584</b> | LCCC 20  | 10.1 × 10.1 | <b>104.544</b> | LCCC 22  | 14 × 9      | <b>104.576</b> | LCCC 24 | 11 × 11 | <b>104.438</b> | LCCC 68 | 25.3 × 25.3 |                |  |            |                |  |         |                |  |            |                |  |         |                |  |             |                |  |             |                |  |         |                |  |             |                |  |             |                |  |             |
| <b>104.567</b>   | PLCC 18  | 11.7 × 6  |  |                |         |             |                |              |             |                |         |             |                |                   |             |                |            |             |                |                 |             |                |         |             |                |          |             |                |          |             |                |          |             |                |          |             |                |         |         |                |         |             |                |  |            |                |  |         |                |  |            |                |  |         |                |  |             |                |  |             |                |  |         |                |  |             |                |  |             |                |  |             |
| <b>104.584</b>   | PLCC 20  | 10.1 × 10.1   |  |                |         |             |                |              |             |                |         |             |                |                   |             |                |            |             |                |                 |             |                |         |             |                |          |             |                |          |             |                |          |             |                |          |             |                |         |         |                |         |             |                |  |            |                |  |         |                |  |            |                |  |         |                |  |             |                |  |             |                |  |         |                |  |             |                |  |             |                |  |             |
| <b>104.554</b>   | PLCC 28  | 12.6 × 12.6   |  |                |         |             |                |              |             |                |         |             |                |                   |             |                |            |             |                |                 |             |                |         |             |                |          |             |                |          |             |                |          |             |                |          |             |                |         |         |                |         |             |                |  |            |                |  |         |                |  |            |                |  |         |                |  |             |                |  |             |                |  |         |                |  |             |                |  |             |                |  |             |
| <b>104.530</b>   | PLCC 32  | 14.7 × 12.2   |  |                |         |             |                |              |             |                |         |             |                |                   |             |                |            |             |                |                 |             |                |         |             |                |          |             |                |          |             |                |          |             |                |          |             |                |         |         |                |         |             |                |  |            |                |  |         |                |  |            |                |  |         |                |  |             |                |  |             |                |  |         |                |  |             |                |  |             |                |  |             |
| <b>104.507</b>   | PLCC 44+48   | 17.7 × 17.7   |  |                |         |             |                |              |             |                |         |             |                |                   |             |                |            |             |                |                 |             |                |         |             |                |          |             |                |          |             |                |          |             |                |          |             |                |         |         |                |         |             |                |  |            |                |  |         |                |  |            |                |  |         |                |  |             |                |  |             |                |  |         |                |  |             |                |  |             |                |  |             |
| <b>104.473</b>   | PLCC 52  | 20.4 × 20.4   |  |                |         |             |                |              |             |                |         |             |                |                   |             |                |            |             |                |                 |             |                |         |             |                |          |             |                |          |             |                |          |             |                |          |             |                |         |         |                |         |             |                |  |            |                |  |         |                |  |            |                |  |         |                |  |             |                |  |             |                |  |         |                |  |             |                |  |             |                |  |             |
| <b>104.438</b>   | PLCC 68  | 25.3 × 25.3   |  |                |         |             |                |              |             |                |         |             |                |                   |             |                |            |             |                |                 |             |                |         |             |                |          |             |                |          |             |                |          |             |                |          |             |                |         |         |                |         |             |                |  |            |                |  |         |                |  |            |                |  |         |                |  |             |                |  |             |                |  |         |                |  |             |                |  |             |                |  |             |
| <b>104.403</b>   | PLCC 84  | 30.7 × 30.7   |  |                |         |             |                |              |             |                |         |             |                |                   |             |                |            |             |                |                 |             |                |         |             |                |          |             |                |          |             |                |          |             |                |          |             |                |         |         |                |         |             |                |  |            |                |  |         |                |  |            |                |  |         |                |  |             |                |  |             |                |  |         |                |  |             |                |  |             |                |  |             |
| <b>104.382</b>   | PLCC 100   | 34.5 × 34.5   |  |                |         |             |                |              |             |                |         |             |                |                   |             |                |            |             |                |                 |             |                |         |             |                |          |             |                |          |             |                |          |             |                |          |             |                |         |         |                |         |             |                |  |            |                |  |         |                |  |            |                |  |         |                |  |             |                |  |             |                |  |         |                |  |             |                |  |             |                |  |             |
| <b>104.584</b>   | LCCC 20  | 10.1 × 10.1   |  |                |         |             |                |              |             |                |         |             |                |                   |             |                |            |             |                |                 |             |                |         |             |                |          |             |                |          |             |                |          |             |                |          |             |                |         |         |                |         |             |                |  |            |                |  |         |                |  |            |                |  |         |                |  |             |                |  |             |                |  |         |                |  |             |                |  |             |                |  |             |
| <b>104.544</b>   | LCCC 22  | 14 × 9  |  |                |         |             |                |              |             |                |         |             |                |                   |             |                |            |             |                |                 |             |                |         |             |                |          |             |                |          |             |                |          |             |                |          |             |                |         |         |                |         |             |                |  |            |                |  |         |                |  |            |                |  |         |                |  |             |                |  |             |                |  |         |                |  |             |                |  |             |                |  |             |
| <b>104.576</b>   | LCCC 24  | 11 × 11   |  |                |         |             |                |              |             |                |         |             |                |                   |             |                |            |             |                |                 |             |                |         |             |                |          |             |                |          |             |                |          |             |                |          |             |                |         |         |                |         |             |                |  |            |                |  |         |                |  |            |                |  |         |                |  |             |                |  |             |                |  |         |                |  |             |                |  |             |                |  |             |
| <b>104.438</b>   | LCCC 68  | 25.3 × 25.3   |  |                |         |             |                |              |             |                |         |             |                |                   |             |                |            |             |                |                 |             |                |         |             |                |          |             |                |          |             |                |          |             |                |          |             |                |         |         |                |         |             |                |  |            |                |  |         |                |  |            |                |  |         |                |  |             |                |  |             |                |  |         |                |  |             |                |  |             |                |  |             |
|                        | <p><b>ROBUST Hochdruckgebläse</b><br/>           Seitenkanalverdichter<br/>           * 3 × 380 – 440V<br/>           * 3 × 230V<br/>           ** 1 × 230V mit Kondensator</p>  | <p><b>31D5</b></p>  <p>QFP<br/>           BQFP</p>          | <p>Entlötdüse 4-fach für QFP, TAB und BQFP</p> <table border="1"> <tbody> <tr><td><b>104.583</b></td><td>QFP 48</td><td>10.1 × 10.1</td></tr> <tr><td><b>104.539</b></td><td>QFP 44,52,60</td><td>14.1 × 14.1</td></tr> <tr><td><b>104.506</b></td><td>QFP 64</td><td>17.7 × 17.7</td></tr> <tr><td><b>104.477</b></td><td>QFP 64,80,100,128</td><td>20.1 × 14.1</td></tr> <tr><td><b>104.472</b></td><td>QFP 72</td><td>20.4 × 20.4</td></tr> <tr><td><b>104.421</b></td><td>QFP 100,120,144</td><td>28 × 28</td></tr> <tr><td><b>104.394</b></td><td>QFP 184</td><td>32.5 × 32.5</td></tr> <tr><td><b>104.482</b></td><td>BQFP 100</td><td>20 × 20</td></tr> <tr><td><b>109.120</b></td><td>BQFP 132</td><td>24.2 × 24.2</td></tr> <tr><td><b>104.409</b></td><td>BQFP 164</td><td>29.6 × 29.6</td></tr> <tr><td><b>104.381</b></td><td>BQFP 196</td><td>34.5 × 34.5</td></tr> <tr><td><b>104.607</b></td><td></td><td>7 × 7</td></tr> <tr><td><b>104.604</b></td><td></td><td>8 × 8</td></tr> <tr><td><b>104.561</b></td><td></td><td>12.2 × 7,6</td></tr> <tr><td><b>104.551</b></td><td></td><td>13 × 10</td></tr> <tr><td><b>104.532</b></td><td></td><td>14.5 × 8.5</td></tr> <tr><td><b>104.524</b></td><td></td><td>16 × 12</td></tr> <tr><td><b>104.515</b></td><td></td><td>16.7 × 16.7</td></tr> <tr><td><b>104.495</b></td><td></td><td>18.9 × 14.9</td></tr> <tr><td><b>104.465</b></td><td></td><td>22 × 16</td></tr> <tr><td><b>104.444</b></td><td></td><td>24.3 × 24,3</td></tr> <tr><td><b>104.364</b></td><td></td><td>37.5 × 37.5</td></tr> <tr><td><b>104.356</b></td><td></td><td>40.1 × 40.1</td></tr> </tbody> </table> | <b>104.583</b> | QFP 48  | 10.1 × 10.1 | <b>104.539</b> | QFP 44,52,60 | 14.1 × 14.1 | <b>104.506</b> | QFP 64  | 17.7 × 17.7 | <b>104.477</b> | QFP 64,80,100,128 | 20.1 × 14.1 | <b>104.472</b> | QFP 72     | 20.4 × 20.4 | <b>104.421</b> | QFP 100,120,144 | 28 × 28     | <b>104.394</b> | QFP 184 | 32.5 × 32.5 | <b>104.482</b> | BQFP 100 | 20 × 20     | <b>109.120</b> | BQFP 132 | 24.2 × 24.2 | <b>104.409</b> | BQFP 164 | 29.6 × 29.6 | <b>104.381</b> | BQFP 196 | 34.5 × 34.5 | <b>104.607</b> |         | 7 × 7   | <b>104.604</b> |         | 8 × 8       | <b>104.561</b> |  | 12.2 × 7,6 | <b>104.551</b> |  | 13 × 10 | <b>104.532</b> |  | 14.5 × 8.5 | <b>104.524</b> |  | 16 × 12 | <b>104.515</b> |  | 16.7 × 16.7 | <b>104.495</b> |  | 18.9 × 14.9 | <b>104.465</b> |  | 22 × 16 | <b>104.444</b> |  | 24.3 × 24,3 | <b>104.364</b> |  | 37.5 × 37.5 | <b>104.356</b> |  | 40.1 × 40.1 |
| <b>104.583</b>   | QFP 48   | 10.1 × 10.1   |  |                |         |             |                |              |             |                |         |             |                |                   |             |                |            |             |                |                 |             |                |         |             |                |          |             |                |          |             |                |          |             |                |          |             |                |         |         |                |         |             |                |  |            |                |  |         |                |  |            |                |  |         |                |  |             |                |  |             |                |  |         |                |  |             |                |  |             |                |  |             |
| <b>104.539</b>   | QFP 44,52,60   | 14.1 × 14.1   |  |                |         |             |                |              |             |                |         |             |                |                   |             |                |            |             |                |                 |             |                |         |             |                |          |             |                |          |             |                |          |             |                |          |             |                |         |         |                |         |             |                |  |            |                |  |         |                |  |            |                |  |         |                |  |             |                |  |             |                |  |         |                |  |             |                |  |             |                |  |             |
| <b>104.506</b>   | QFP 64   | 17.7 × 17.7   |  |                |         |             |                |              |             |                |         |             |                |                   |             |                |            |             |                |                 |             |                |         |             |                |          |             |                |          |             |                |          |             |                |          |             |                |         |         |                |         |             |                |  |            |                |  |         |                |  |            |                |  |         |                |  |             |                |  |             |                |  |         |                |  |             |                |  |             |                |  |             |
| <b>104.477</b>   | QFP 64,80,100,128  | 20.1 × 14.1   |  |                |         |             |                |              |             |                |         |             |                |                   |             |                |            |             |                |                 |             |                |         |             |                |          |             |                |          |             |                |          |             |                |          |             |                |         |         |                |         |             |                |  |            |                |  |         |                |  |            |                |  |         |                |  |             |                |  |             |                |  |         |                |  |             |                |  |             |                |  |             |
| <b>104.472</b>   | QFP 72   | 20.4 × 20.4   |  |                |         |             |                |              |             |                |         |             |                |                   |             |                |            |             |                |                 |             |                |         |             |                |          |             |                |          |             |                |          |             |                |          |             |                |         |         |                |         |             |                |  |            |                |  |         |                |  |            |                |  |         |                |  |             |                |  |             |                |  |         |                |  |             |                |  |             |                |  |             |
| <b>104.421</b>   | QFP 100,120,144  | 28 × 28   |  |                |         |             |                |              |             |                |         |             |                |                   |             |                |            |             |                |                 |             |                |         |             |                |          |             |                |          |             |                |          |             |                |          |             |                |         |         |                |         |             |                |  |            |                |  |         |                |  |            |                |  |         |                |  |             |                |  |             |                |  |         |                |  |             |                |  |             |                |  |             |
| <b>104.394</b>   | QFP 184  | 32.5 × 32.5   |  |                |         |             |                |              |             |                |         |             |                |                   |             |                |            |             |                |                 |             |                |         |             |                |          |             |                |          |             |                |          |             |                |          |             |                |         |         |                |         |             |                |  |            |                |  |         |                |  |            |                |  |         |                |  |             |                |  |             |                |  |         |                |  |             |                |  |             |                |  |             |
| <b>104.482</b>   | BQFP 100   | 20 × 20   |  |                |         |             |                |              |             |                |         |             |                |                   |             |                |            |             |                |                 |             |                |         |             |                |          |             |                |          |             |                |          |             |                |          |             |                |         |         |                |         |             |                |  |            |                |  |         |                |  |            |                |  |         |                |  |             |                |  |             |                |  |         |                |  |             |                |  |             |                |  |             |
| <b>109.120</b>   | BQFP 132   | 24.2 × 24.2   |  |                |         |             |                |              |             |                |         |             |                |                   |             |                |            |             |                |                 |             |                |         |             |                |          |             |                |          |             |                |          |             |                |          |             |                |         |         |                |         |             |                |  |            |                |  |         |                |  |            |                |  |         |                |  |             |                |  |             |                |  |         |                |  |             |                |  |             |                |  |             |
| <b>104.409</b>   | BQFP 164   | 29.6 × 29.6   |  |                |         |             |                |              |             |                |         |             |                |                   |             |                |            |             |                |                 |             |                |         |             |                |          |             |                |          |             |                |          |             |                |          |             |                |         |         |                |         |             |                |  |            |                |  |         |                |  |            |                |  |         |                |  |             |                |  |             |                |  |         |                |  |             |                |  |             |                |  |             |
| <b>104.381</b>   | BQFP 196   | 34.5 × 34.5   |  |                |         |             |                |              |             |                |         |             |                |                   |             |                |            |             |                |                 |             |                |         |             |                |          |             |                |          |             |                |          |             |                |          |             |                |         |         |                |         |             |                |  |            |                |  |         |                |  |            |                |  |         |                |  |             |                |  |             |                |  |         |                |  |             |                |  |             |                |  |             |
| <b>104.607</b>   |  | 7 × 7   |  |                |         |             |                |              |             |                |         |             |                |                   |             |                |            |             |                |                 |             |                |         |             |                |          |             |                |          |             |                |          |             |                |          |             |                |         |         |                |         |             |                |  |            |                |  |         |                |  |            |                |  |         |                |  |             |                |  |             |                |  |         |                |  |             |                |  |             |                |  |             |
| <b>104.604</b>   |  | 8 × 8   |  |                |         |             |                |              |             |                |         |             |                |                   |             |                |            |             |                |                 |             |                |         |             |                |          |             |                |          |             |                |          |             |                |          |             |                |         |         |                |         |             |                |  |            |                |  |         |                |  |            |                |  |         |                |  |             |                |  |             |                |  |         |                |  |             |                |  |             |                |  |             |
| <b>104.561</b>   |  | 12.2 × 7,6  |  |                |         |             |                |              |             |                |         |             |                |                   |             |                |            |             |                |                 |             |                |         |             |                |          |             |                |          |             |                |          |             |                |          |             |                |         |         |                |         |             |                |  |            |                |  |         |                |  |            |                |  |         |                |  |             |                |  |             |                |  |         |                |  |             |                |  |             |                |  |             |
| <b>104.551</b>   |  | 13 × 10   |  |                |         |             |                |              |             |                |         |             |                |                   |             |                |            |             |                |                 |             |                |         |             |                |          |             |                |          |             |                |          |             |                |          |             |                |         |         |                |         |             |                |  |            |                |  |         |                |  |            |                |  |         |                |  |             |                |  |             |                |  |         |                |  |             |                |  |             |                |  |             |
| <b>104.532</b>   |  | 14.5 × 8.5  |  |                |         |             |                |              |             |                |         |             |                |                   |             |                |            |             |                |                 |             |                |         |             |                |          |             |                |          |             |                |          |             |                |          |             |                |         |         |                |         |             |                |  |            |                |  |         |                |  |            |                |  |         |                |  |             |                |  |             |                |  |         |                |  |             |                |  |             |                |  |             |
| <b>104.524</b>   |  | 16 × 12   |  |                |         |             |                |              |             |                |         |             |                |                   |             |                |            |             |                |                 |             |                |         |             |                |          |             |                |          |             |                |          |             |                |          |             |                |         |         |                |         |             |                |  |            |                |  |         |                |  |            |                |  |         |                |  |             |                |  |             |                |  |         |                |  |             |                |  |             |                |  |             |
| <b>104.515</b>   |  | 16.7 × 16.7   |  |                |         |             |                |              |             |                |         |             |                |                   |             |                |            |             |                |                 |             |                |         |             |                |          |             |                |          |             |                |          |             |                |          |             |                |         |         |                |         |             |                |  |            |                |  |         |                |  |            |                |  |         |                |  |             |                |  |             |                |  |         |                |  |             |                |  |             |                |  |             |
| <b>104.495</b>   |  | 18.9 × 14.9   |  |                |         |             |                |              |             |                |         |             |                |                   |             |                |            |             |                |                 |             |                |         |             |                |          |             |                |          |             |                |          |             |                |          |             |                |         |         |                |         |             |                |  |            |                |  |         |                |  |            |                |  |         |                |  |             |                |  |             |                |  |         |                |  |             |                |  |             |                |  |             |
| <b>104.465</b>   |  | 22 × 16   |  |                |         |             |                |              |             |                |         |             |                |                   |             |                |            |             |                |                 |             |                |         |             |                |          |             |                |          |             |                |          |             |                |          |             |                |         |         |                |         |             |                |  |            |                |  |         |                |  |            |                |  |         |                |  |             |                |  |             |                |  |         |                |  |             |                |  |             |                |  |             |
| <b>104.444</b>   |  | 24.3 × 24,3   |  |                |         |             |                |              |             |                |         |             |                |                   |             |                |            |             |                |                 |             |                |         |             |                |          |             |                |          |             |                |          |             |                |          |             |                |         |         |                |         |             |                |  |            |                |  |         |                |  |            |                |  |         |                |  |             |                |  |             |                |  |         |                |  |             |                |  |             |                |  |             |
| <b>104.364</b>   |  | 37.5 × 37.5   |  |                |         |             |                |              |             |                |         |             |                |                   |             |                |            |             |                |                 |             |                |         |             |                |          |             |                |          |             |                |          |             |                |          |             |                |         |         |                |         |             |                |  |            |                |  |         |                |  |            |                |  |         |                |  |             |                |  |             |                |  |         |                |  |             |                |  |             |                |  |             |
| <b>104.356</b>   |  | 40.1 × 40.1   |  |                |         |             |                |              |             |                |         |             |                |                   |             |                |            |             |                |                 |             |                |         |             |                |          |             |                |          |             |                |          |             |                |          |             |                |         |         |                |         |             |                |  |            |                |  |         |                |  |            |                |  |         |                |  |             |                |  |             |                |  |         |                |  |             |                |  |             |                |  |             |

## Zubehör Kontaktloses Löten

| 31D6   | Entlötdüse 2-fach für SO, SOL, TSOP, VSO und DIP |                                |  |
|--|--|--------------------------------|--|
|  <p>SO, SOL<br/>VSO, TSOP</p> | <b>104.956</b>                                   | SO 8 5.3 × 4                   |  |
|  | <b>104.934</b>                                   | SO 14 8.5 × 4                  |  |
|  | <b>104.919</b>                                   | SO 16 10.2 × 4                 |  |
|                              | <b>104.902</b>                                   | SO 20 12.2 × 5.5               |  |
|  | <b>104.950</b>                                   | SO 8L 5.3 × 7.6                |  |
|  | <b>104.914</b>                                   | SO 16L 10.2 × 7.6              |  |
|  | <b>104.899</b>                                   | SO 20L 12.2 × 7.6              |  |
|  | <b>104.873</b>                                   | SO 24L 15.4 × 7.6              |  |
|  | <b>104.845</b>                                   | SO 28L 18.5 × 7.6              |  |
|  | <b>104.842</b>                                   | TSOP 28 18.5 × 8.5             |  |
|  | <b>104.892</b>                                   | VSO 30 12.2 × 14.2             |  |
|  | <b>104.873</b>                                   | VSO 40 15.4 × 7.6              |  |
|  | <b>104.820</b>                                   | VSO 52 20 × 9.2                |  |
|                             | <b>104.813</b>                                   | VSO 56 20 × 13                 |  |
|  | <b>104.947</b>                                   | DIP 6 6 × 6                    |  |
|  | <b>104.925</b>                                   | DIP 8 9.2 × 6                  |  |
|  | <b>104.876</b>                                   | DIP 14 15.4 × 6                |  |
|  | <b>104.824</b>                                   | DIP 16 20 × 6                  |  |
|  | <b>104.802</b>                                   | DIP 18 22 × 6                  |  |
|  | <b>104.791</b>                                   | DIP 20 25.3 × 6                |  |
|  | <b>104.787</b>                                   | DIP 22 25.3 × 8.1              |  |
|  | <b>104.741</b>                                   | DIP 24 31 × 13                 |  |
|  | <b>104.725</b>                                   | DIP 28 34.5 × 13               |  |
|  | <b>104.701</b>                                   | DIP 32 41.7 × 13               |  |
|  | <b>104.667</b>                                   | DIP 40 50.5 × 13               |  |
|  | <b>104.642</b>                                   | DIP 64 57.5 × 17.7             |  |
|  |  | Steckerverbindungen (2 reihig) |  |
|  | <b>104.907</b>                                   | 12.2 × 0.5                     |  |
|  | <b>104.855</b>                                   | 18.5 × 0.6                     |  |
| <b>104.804</b>   | 22 × 0.7   |                                |  |
| <b>104.794</b>   | 25.3 × 0.0                                       |                                |  |
| <b>104.732</b>   | 34.5 × 0.0                                       |                                |  |
| <b>104.709</b>   | 41.7 × 0.0                                       |                                |  |
| <b>104.687</b>   | 46.5 × 0.2                                       |                                |  |
| <b>104.636</b>   | 62.5 × 0.0                                       |                                |  |
| <b>104.623</b>   | 75 × 0.0   |                                |  |
| <b>104.952</b>   | 5.3 × 6.3  |                                |  |
| <b>104.918</b>   | 10.2 × 5.7                                       |                                |  |
| <b>104.917</b>   | 10.2 × 6.4                                       |                                |  |
| <b>104.871</b>   | 15.4 × 8.8                                       |                                |  |
| <b>104.868</b>   | 15.4 × 9.5                                       |                                |  |
| <b>104.822</b>   | 20 × 8.1   |                                |  |
| <b>104.728</b>   | 34.5 × 5.4                                       |                                |  |
| <b>104.646</b>   | 57.5 × 5.5                                       |                                |  |

| 31D7   | Entlötdüse 1-fach für SIP-Gehäuse und Steckverbinder |   |
|--|--|---|
|  <p>SIP</p>      | <b>105.070</b>                                       | 25  |
|  | <b>105.066</b>                                       | 30  |
|  | <b>105.053</b>                                       | 50  |
|  | <b>105.039</b>                                       | 80  |
|  | <b>105.036</b>                                       | 100   |
| <b>&gt; LABOR S &gt; HOT JET S<br/>&gt; HOT JET S DIGITAL</b>                                      |  |   |
| 31D8   | Entlötdüse für PIN-Grids und Sockel                  |   |
|  <p>PIN-GRID</p> | <b>105.249</b>                                       | PGA 136 38 × 38   |
|  | <b>105.317</b>                                       | PGA 68 30 × 30  |
|  | <b>105.336</b>                                       | PGA 81 26 × 26  |
|  | <b>105.341</b>                                       | PGA 48 26 × 26  |
| Auch andere Grössen und Lochbilder lieferbar   |  |   |
| <b>&gt; LABOR S &gt; HOT JET S<br/>&gt; HOT JET S DIGITAL</b>                                      |  |   |
|                | <b>107.281</b>                                       | Schlauchverbindungsadapter, aufschiebbar auf das Gebläse-ROBUST, zum Schlauchanschluss für 3 LABOR S-Geräte |

Bei Handgeräten müssen Düsen zusätzlich bestellt werden.  
Änderungen der technischen Daten bleiben vorbehalten.