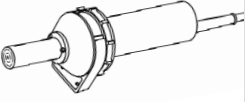
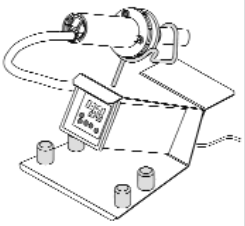
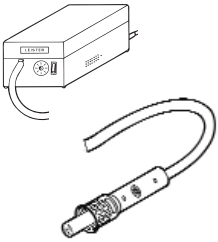
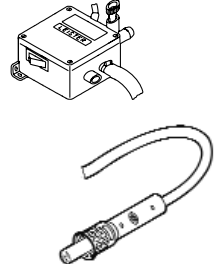
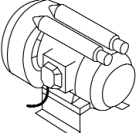

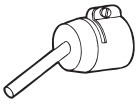
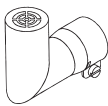
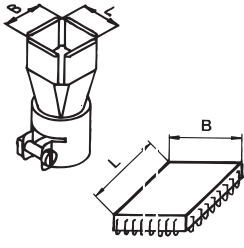
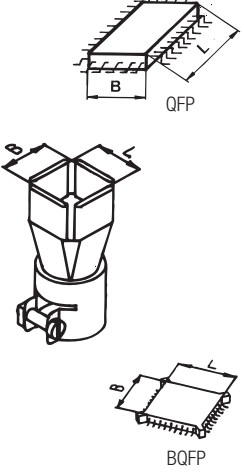
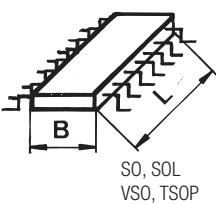
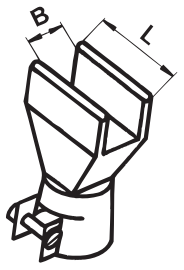
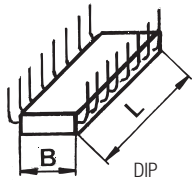
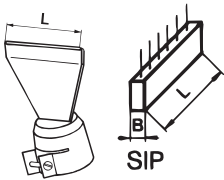
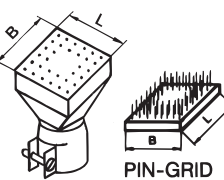
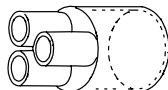


Accessories for contactless soldering

	<p>HOT-JET S Hot air soldering tool</p> <p>230V~, 50/60 Hz, 460 W 100V , 120V~, 50/60 Hz, 460W</p> <p>Temperature electronically steplessly controlled Air flow electronically steplessly adjustable</p>
	<p>HOT-JET S DIGITAL Hot air soldering station with PID control</p> <p>230V~, 50/60 Hz, 460 W 100V , 120V~, 50/60 Hz, 460W</p> <p>Temperature electronically steplessly controlled Air flow electronically steplessly adjustable</p>
 plus ESD version	<p>LABOR S Hot air soldering tool</p> <p>incl. blower</p> <p>230V~, 50/60Hz, 800W 120V~, 50/60Hz, 700W 100V~, 50/60Hz, 500W</p> <p>Weight 2.5kg</p> <p>Temperature electronically steplessly controlled Air flow electronically steplessly adjustable</p>
 plus ESD version	<p>LABOR S Hot air soldering tool</p> <p>without blower unit, with connecting box and 3 m hose for connecting to ROBUST or an existing air supply</p> <p>230V~, 50/60Hz, 700W 120V~, 50/60Hz, 600W 100V~, 50/60Hz, 400W</p> <p>Temperature electronically steplessly controlled Air flow electronically steplessly adjustable</p>
	<p>High pressure blower ROBUST</p> <p>Regenerative blower</p> <p>* 3 × 380 – 440V * 3 × 230V ** 1 × 230V with capacitor</p>

	107.148	Soldering nozzle 3 × 1,5 mm oval for contactless de-soldering and soldering with fine hot air jet, push fit on > LABOR S > HOT JET S > HOT JET S DIGITAL
	107.151	Soldering nozzle Ø 4 mm for contactless de-soldering and soldering, push fit on > LABOR S > HOT JET S > HOT JET S DIGITAL
	105.641	Angled nozzles 21,3 × 33/45 mm, push fit on > LABOR S > HOT JET S > HOT JET S DIGITAL
31D5A  PLCC, LCCC FPPLCC	<p>104.567 PLCC 18 11.7 × 6</p> <p>104.584 PLCC 20 10.1 × 10.1</p> <p>104.554 PLCC 28 12.6 × 12.6</p> <p>104.530 PLCC 32 14.7 × 12.2</p> <p>104.507 PLCC 44+48 17.7 × 17.7</p> <p>104.473 PLCC 52 20.4 × 20.4</p> <p>104.438 PLCC 68 25.3 × 25.3</p> <p>104.403 PLCC 84 30.7 × 30.7</p> <p>104.382 PLCC 100 34.5 × 34.5</p> <p>104.584 LCCC 20 10.1 × 10.1</p> <p>104.544 LCCC 22 14 × 9</p> <p>104.576 LCCC 24 11 × 11</p> <p>104.438 LCCC 68 25.3 × 25.3</p>	
31D5  QFP BQFP	<p>104.583 QFP 48 10.1 × 10.1</p> <p>104.539 QFP 44,52,60 14.1 × 14.1</p> <p>104.506 QFP 64 17.7 × 17.7</p> <p>104.477 QFP 64,80,100,128 20.1 × 14.1</p> <p>104.472 QFP 72 20.4 × 20.4</p> <p>104.421 QFP 100,120,144 28 × 28</p> <p>104.394 QFP 184 32.5 × 32.5</p> <p>104.482 BQFP 100 20 × 20</p> <p>109.120 BQFP 132 24.2 × 24.2</p> <p>104.409 BQFP 164 29.6 × 29.6</p> <p>104.381 BQFP 196 34.5 × 34.5</p> <p>104.607 7 × 7</p> <p>104.604 8 × 8</p> <p>104.561 12.2 × 7.6</p> <p>104.551 13 × 10</p> <p>104.532 14.5 × 8.5</p> <p>104.524 16 × 12</p> <p>104.515 16.7 × 16.7</p> <p>104.495 18.9 × 14.9</p> <p>104.465 22 × 16</p> <p>104.444 24.3 × 24,3</p> <p>104.364 37.5 × 37.5</p> <p>104.356 40.1 × 40.1</p>	

Accessories for contactless soldering

<p>31D6</p>  <p>SO, SOL VSO, TSOP</p>  <p>DIP</p> 	<p>De-soldering nozzle two-sided for SO, SOL, TSOP, VSO and DIP</p> <table border="0"> <tr><td>104.956</td><td>SO 8</td><td>5.3 × 4</td></tr> <tr><td>104.934</td><td>SO 14</td><td>8.5 × 4</td></tr> <tr><td>104.919</td><td>SO 16</td><td>10.2 × 4</td></tr> <tr><td>104.902</td><td>SO 20</td><td>12.2 × 5.5</td></tr> <tr><td>104.950</td><td>SO 8L</td><td>5.3 × 7.6</td></tr> <tr><td>104.914</td><td>SO 16L</td><td>10.2 × 7.6</td></tr> <tr><td>104.899</td><td>SO 20L</td><td>12.2 × 7.6</td></tr> <tr><td>104.873</td><td>SO 24L</td><td>15.4 × 7.6</td></tr> <tr><td>104.845</td><td>SO 28L</td><td>18.5 × 7.6</td></tr> <tr><td>104.842</td><td>TSOP 28</td><td>18.5 × 8.5</td></tr> <tr><td>104.892</td><td>VSO 30</td><td>12.2 × 14.2</td></tr> <tr><td>104.873</td><td>VSO 40</td><td>15.4 × 7.6</td></tr> <tr><td>104.820</td><td>VSO 52</td><td>20 × 9.2</td></tr> <tr><td>104.813</td><td>VSO 56</td><td>20 × 13</td></tr> <tr><td>104.947</td><td>DIP 6</td><td>6 × 6</td></tr> <tr><td>104.925</td><td>DIP 8</td><td>9.2 × 6</td></tr> <tr><td>104.876</td><td>DIP 14</td><td>15.4 × 6</td></tr> <tr><td>104.824</td><td>DIP 16</td><td>20 × 6</td></tr> <tr><td>104.802</td><td>DIP 18</td><td>22 × 6</td></tr> <tr><td>104.791</td><td>DIP 20</td><td>25.3 × 6</td></tr> <tr><td>104.787</td><td>DIP 22</td><td>25.3 × 8.1</td></tr> <tr><td>104.741</td><td>DIP 24</td><td>31 × 13</td></tr> <tr><td>104.725</td><td>DIP 28</td><td>34.5 × 13</td></tr> <tr><td>104.701</td><td>DIP 32</td><td>41.7 × 13</td></tr> <tr><td>104.667</td><td>DIP 40</td><td>50.5 × 13</td></tr> <tr><td>104.642</td><td>DIP 64</td><td>57.5 × 17.7</td></tr> </table> <p>Plug connections (2-rows)</p> <table border="0"> <tr><td>104.907</td><td>12.2 × 0.5</td></tr> <tr><td>104.855</td><td>18.5 × 0.6</td></tr> <tr><td>104.804</td><td>22 × 0.7</td></tr> <tr><td>104.794</td><td>25.3 × 0.0</td></tr> <tr><td>104.732</td><td>34.5 × 0.0</td></tr> <tr><td>104.709</td><td>41.7 × 0.0</td></tr> <tr><td>104.687</td><td>46.5 × 0.2</td></tr> <tr><td>104.636</td><td>62.5 × 0.0</td></tr> <tr><td>104.623</td><td>75 × 0.0</td></tr> <tr><td>104.952</td><td>5.3 × 6.3</td></tr> <tr><td>104.918</td><td>10.2 × 5.7</td></tr> <tr><td>104.917</td><td>10.2 × 6.4</td></tr> <tr><td>104.871</td><td>15.4 × 8.8</td></tr> <tr><td>104.868</td><td>15.4 × 9.5</td></tr> <tr><td>104.822</td><td>20 × 8.1</td></tr> <tr><td>104.728</td><td>34.5 × 5.4</td></tr> <tr><td>104.646</td><td>57.5 × 5.5</td></tr> </table>	104.956	SO 8	5.3 × 4	104.934	SO 14	8.5 × 4	104.919	SO 16	10.2 × 4	104.902	SO 20	12.2 × 5.5	104.950	SO 8L	5.3 × 7.6	104.914	SO 16L	10.2 × 7.6	104.899	SO 20L	12.2 × 7.6	104.873	SO 24L	15.4 × 7.6	104.845	SO 28L	18.5 × 7.6	104.842	TSOP 28	18.5 × 8.5	104.892	VSO 30	12.2 × 14.2	104.873	VSO 40	15.4 × 7.6	104.820	VSO 52	20 × 9.2	104.813	VSO 56	20 × 13	104.947	DIP 6	6 × 6	104.925	DIP 8	9.2 × 6	104.876	DIP 14	15.4 × 6	104.824	DIP 16	20 × 6	104.802	DIP 18	22 × 6	104.791	DIP 20	25.3 × 6	104.787	DIP 22	25.3 × 8.1	104.741	DIP 24	31 × 13	104.725	DIP 28	34.5 × 13	104.701	DIP 32	41.7 × 13	104.667	DIP 40	50.5 × 13	104.642	DIP 64	57.5 × 17.7	104.907	12.2 × 0.5	104.855	18.5 × 0.6	104.804	22 × 0.7	104.794	25.3 × 0.0	104.732	34.5 × 0.0	104.709	41.7 × 0.0	104.687	46.5 × 0.2	104.636	62.5 × 0.0	104.623	75 × 0.0	104.952	5.3 × 6.3	104.918	10.2 × 5.7	104.917	10.2 × 6.4	104.871	15.4 × 8.8	104.868	15.4 × 9.5	104.822	20 × 8.1	104.728	34.5 × 5.4	104.646	57.5 × 5.5
104.956	SO 8	5.3 × 4																																																																																																															
104.934	SO 14	8.5 × 4																																																																																																															
104.919	SO 16	10.2 × 4																																																																																																															
104.902	SO 20	12.2 × 5.5																																																																																																															
104.950	SO 8L	5.3 × 7.6																																																																																																															
104.914	SO 16L	10.2 × 7.6																																																																																																															
104.899	SO 20L	12.2 × 7.6																																																																																																															
104.873	SO 24L	15.4 × 7.6																																																																																																															
104.845	SO 28L	18.5 × 7.6																																																																																																															
104.842	TSOP 28	18.5 × 8.5																																																																																																															
104.892	VSO 30	12.2 × 14.2																																																																																																															
104.873	VSO 40	15.4 × 7.6																																																																																																															
104.820	VSO 52	20 × 9.2																																																																																																															
104.813	VSO 56	20 × 13																																																																																																															
104.947	DIP 6	6 × 6																																																																																																															
104.925	DIP 8	9.2 × 6																																																																																																															
104.876	DIP 14	15.4 × 6																																																																																																															
104.824	DIP 16	20 × 6																																																																																																															
104.802	DIP 18	22 × 6																																																																																																															
104.791	DIP 20	25.3 × 6																																																																																																															
104.787	DIP 22	25.3 × 8.1																																																																																																															
104.741	DIP 24	31 × 13																																																																																																															
104.725	DIP 28	34.5 × 13																																																																																																															
104.701	DIP 32	41.7 × 13																																																																																																															
104.667	DIP 40	50.5 × 13																																																																																																															
104.642	DIP 64	57.5 × 17.7																																																																																																															
104.907	12.2 × 0.5																																																																																																																
104.855	18.5 × 0.6																																																																																																																
104.804	22 × 0.7																																																																																																																
104.794	25.3 × 0.0																																																																																																																
104.732	34.5 × 0.0																																																																																																																
104.709	41.7 × 0.0																																																																																																																
104.687	46.5 × 0.2																																																																																																																
104.636	62.5 × 0.0																																																																																																																
104.623	75 × 0.0																																																																																																																
104.952	5.3 × 6.3																																																																																																																
104.918	10.2 × 5.7																																																																																																																
104.917	10.2 × 6.4																																																																																																																
104.871	15.4 × 8.8																																																																																																																
104.868	15.4 × 9.5																																																																																																																
104.822	20 × 8.1																																																																																																																
104.728	34.5 × 5.4																																																																																																																
104.646	57.5 × 5.5																																																																																																																
<p>31D7</p>  <p>SIP</p>	<p>De-soldering nozzle straight line for SIP-housing and PIN-connector</p> <table border="0"> <tr><td>105.070</td><td>25</td></tr> <tr><td>105.066</td><td>30</td></tr> <tr><td>105.053</td><td>50</td></tr> <tr><td>105.039</td><td>80</td></tr> <tr><td>105.036</td><td>100</td></tr> </table> <p>> LABOR S > HOT JET S > HOT JET S DIGITAL</p>	105.070	25	105.066	30	105.053	50	105.039	80	105.036	100																																																																																																						
105.070	25																																																																																																																
105.066	30																																																																																																																
105.053	50																																																																																																																
105.039	80																																																																																																																
105.036	100																																																																																																																
<p>31D8</p>  <p>PIN-GRID</p>	<p>De-soldering nozzle for PIN-Grids and socket</p> <table border="0"> <tr><td>105.249</td><td>PGA 136</td><td>38 × 38</td></tr> <tr><td>105.317</td><td>PGA 68</td><td>30 × 30</td></tr> <tr><td>105.336</td><td>PGA 81</td><td>26 × 26</td></tr> <tr><td>105.341</td><td>PGA 48</td><td>26 × 26</td></tr> </table> <p>Other sizes and pin hole configurations, also available</p> <p>> LABOR S > HOT JET S > HOT JET S DIGITAL</p>	105.249	PGA 136	38 × 38	105.317	PGA 68	30 × 30	105.336	PGA 81	26 × 26	105.341	PGA 48	26 × 26																																																																																																				
105.249	PGA 136	38 × 38																																																																																																															
105.317	PGA 68	30 × 30																																																																																																															
105.336	PGA 81	26 × 26																																																																																																															
105.341	PGA 48	26 × 26																																																																																																															
	<p>Hose connection adaptor, push fit on ROBUST blower, to connect 3 LABOR S tools</p> <p>107.281</p>																																																																																																																

Nozzles are not included to the hand tools.
Technical data are subject to change without notice.